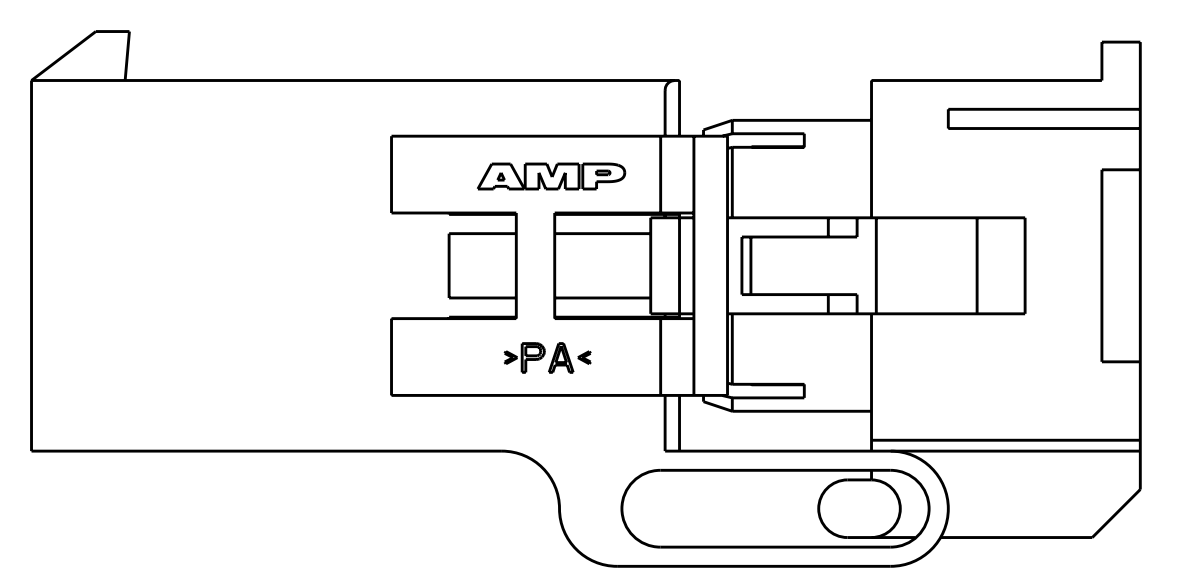
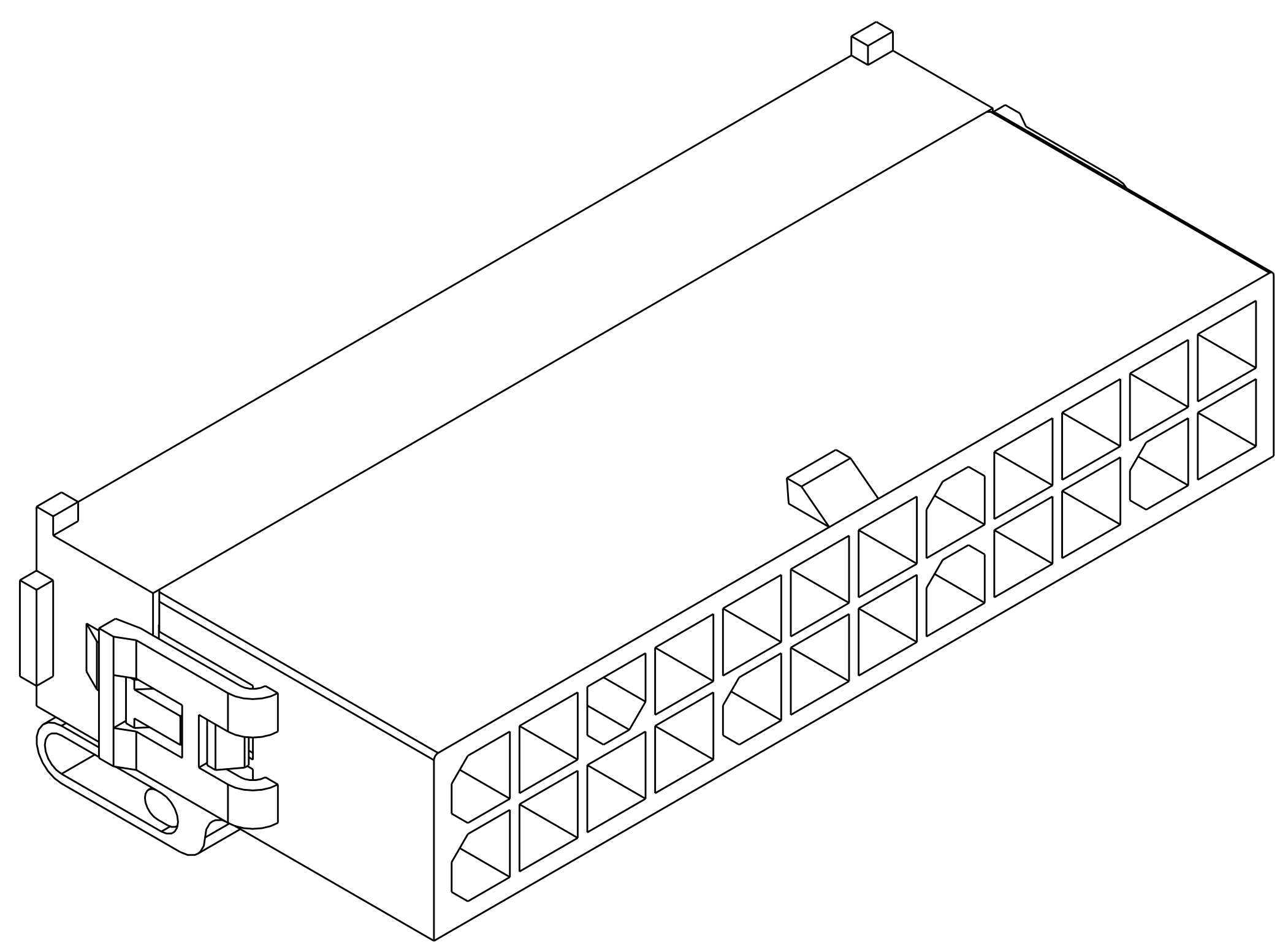
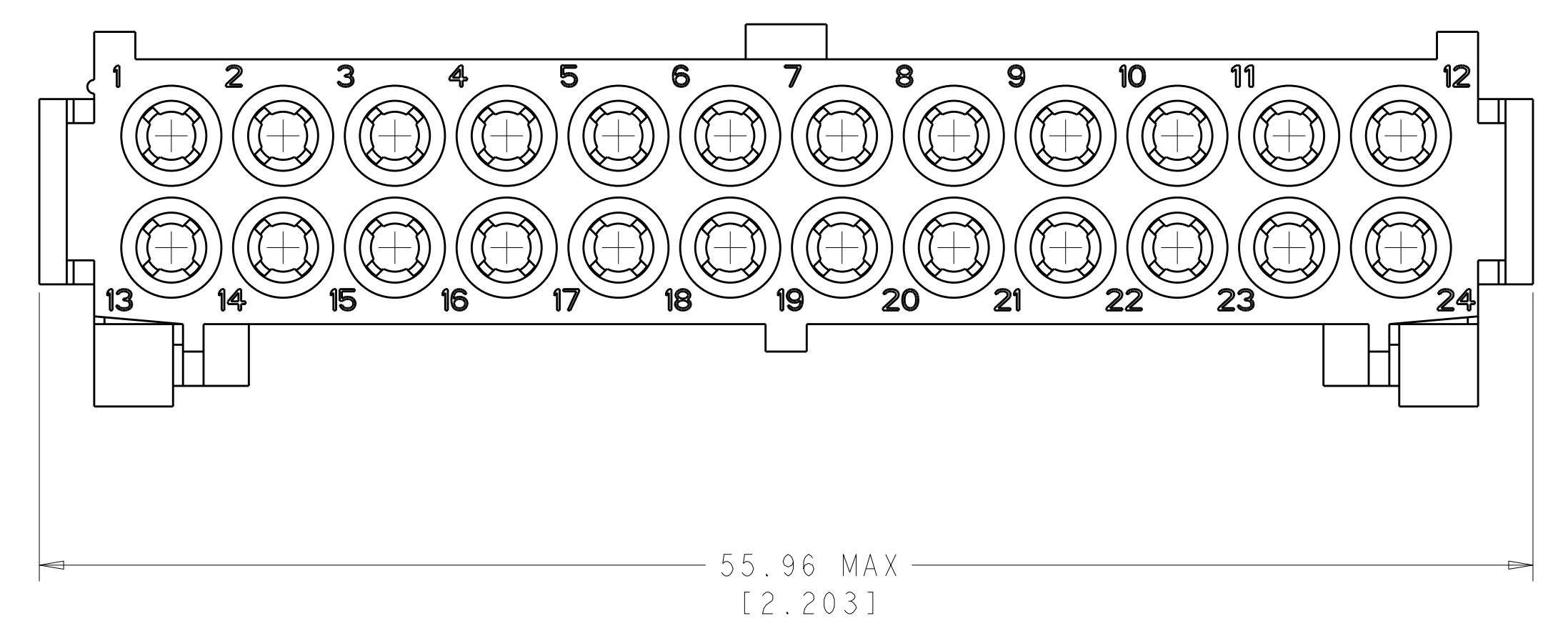
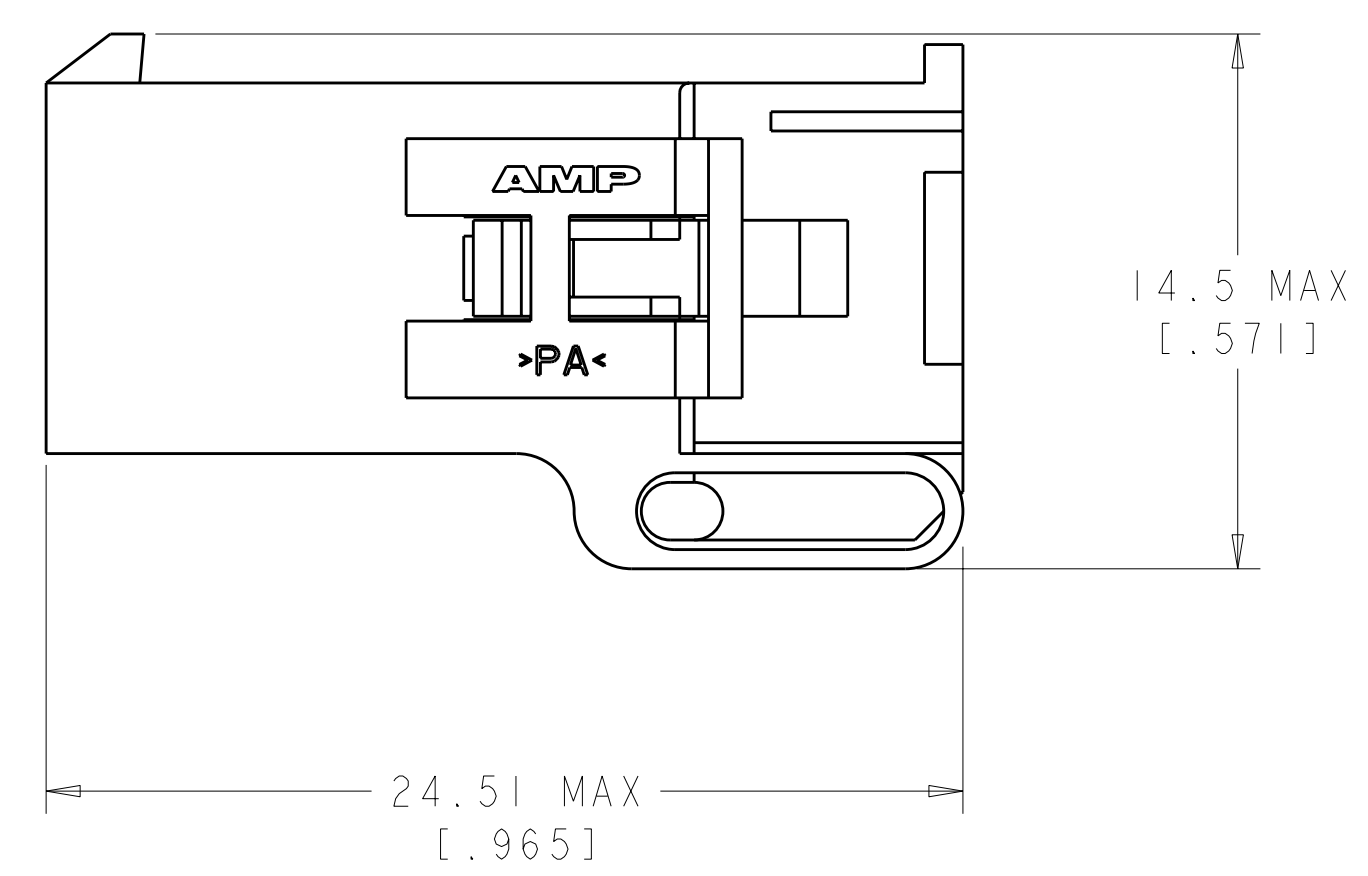
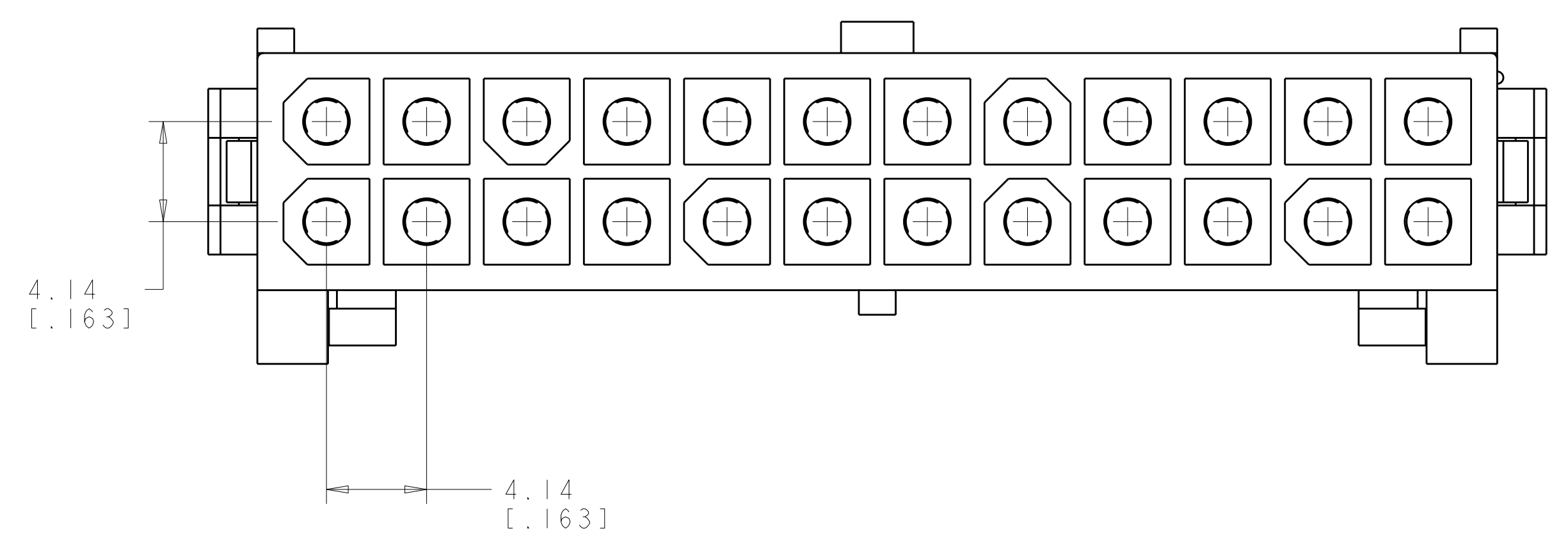


LOC		DIST		REVISIONS			
CM	00	P	LTN	DESCRIPTION	DATE	DWN	APVD
		C1		ECO-07-016419	03AUG2007	KW	CJ



PRE-STAGED CONDITION



0.432 IN ³	794215-1
VOLUME	PART NUMBER

<small>THIS DRAWING IS UNPUBLISHED. IT IS SUBJECT TO CHANGE WITHOUT NOTICE AND WITHOUT OBLIGATION. SHOULD BE CONTACTED FOR THE LATEST REVISION.</small>		DWN: R. WHITAKER 01AUG2007 CHK: C. JONES 01AUG2007 APVD: C. JONES 01AUG2007	Tyco Electronics Harrisburg, PA 17105-3608
DIMENSIONS: mm [INCHES] TOLERANCES UNLESS OTHERWISE SPECIFIED: 9 PLC ± 1 PLC ± 5 PLC ±0.13 (1.005) 4 PLC ± ANGLES ±40°30'		NAME: CAP, DUAL ROW, 24 CIRCUIT, MINI UNIVERSAL MATE-N-LOK(TM) 2 PRODUCT SPEC APPLICATION SPEC SIZE: CAGE CODE DRAWING NO: A100779 C=794215 WEIGHT: CUSTOMER DRAWING	RESTRICTED TO:
MATERIAL: NYLON UL 94V-0, NATURAL FINISH:		SCALE: 5:1 SHEET: 1 OF 1 REV: C1	

